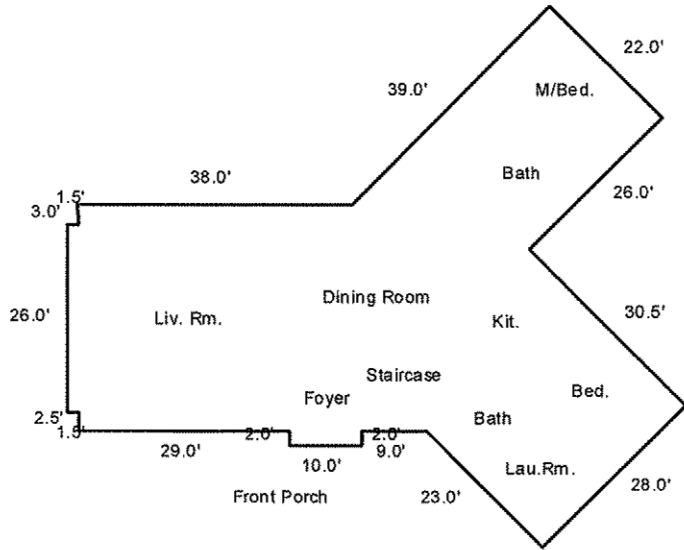
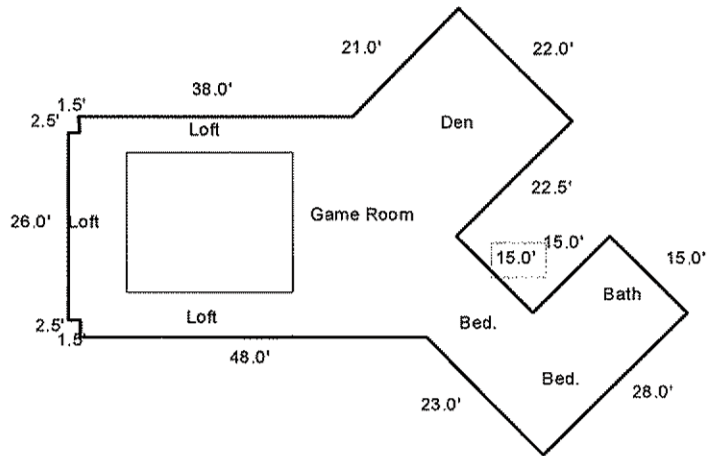


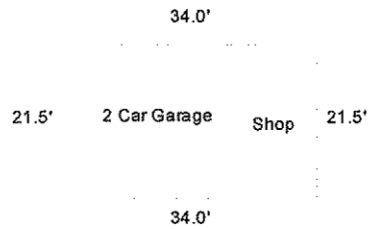
0 Paiute Dr North Fork, CA



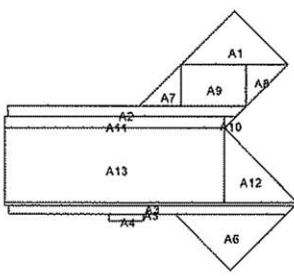
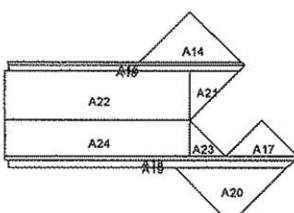
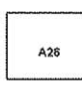
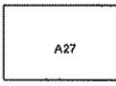
First Floor



2nd Floor



0 Paiute Dr, North Fork, CA Floorplan Calculations

SKETCH CALCULATIONS	Perimeter	Area
	A1 : $0.5 \times 31.1 \times 15.6 =$ A2 : $0.5(69.1 + 65.9) \times 3.0 =$ A3 : $0.5(85.6 + 84.5) \times 1.0 =$ A4 : $10.0 \times 2.0 =$ A5 : $0.5(83.0 + 80.5) \times 2.5 =$ A6 : $0.5 \times 32.5 \times 16.3 =$ A7 : $0.5 \times 12.0 \times 12.0 =$ A8 : $0.5 \times 12.0 \times 12.0 =$ A9 : $19.1 \times 12.0 =$ A10 : $0.5 \times 3.4 \times 3.4 =$ A11 : $64.0 \times 3.4 =$ A12 : $0.5 \times 21.6 \times 21.6 =$ A13 : $64.0 \times 21.6 =$	242.0 200.2 88.1 20.0 204.4 264.5 72.3 72.3 229.5 5.8 217.4 232.6 1380.2
	A14 : $0.5 \times 29.7 \times 14.8 =$ A15 : $0.5(67.7 + 68.3) \times 0.7 =$ A16 : $0.5(68.3 + 66.6) \times 1.6 =$ A17 : $0.5 \times 21.2 \times 10.6 =$ A18 : $0.5(85.6 + 84.5) \times 1.0 =$ A19 : $0.5(83.0 + 80.5) \times 2.5 =$ A20 : $0.5 \times 32.5 \times 16.3 =$ A21 : $0.5 \times 14.4 \times 14.4 =$ A22 : $53.7 \times 14.4 =$ A23 : $0.5 \times 10.6 \times 10.6 =$ A24 : $53.7 \times 10.6 =$ Open Space	220.5 48.1 104.7 112.5 88.1 204.4 264.5 103.1 771.6 56.3 570.0 -448.5
	A26 : $23.0 \times 19.5 =$ Open Space	448.5 448.5
Total Living Area		4876.1
	A27 : $34.0 \times 21.5 =$ Detached Garage	731.0 731.0